

THIS DRAWING IS UNPUBLISHED. RELEASED FOR PUBLICATION .19 .
 © COPYRIGHT 19 BY AMP INCORPORATED. ALL RIGHTS RESERVED.

LOC	DIST	REVISIONS			
P	LTR	DESCRIPTION	DATE	DWN	APVD
DY	-	01 REVISED PER ECR-06-029208	14DEC06	SYJ	LSF

D

C

B

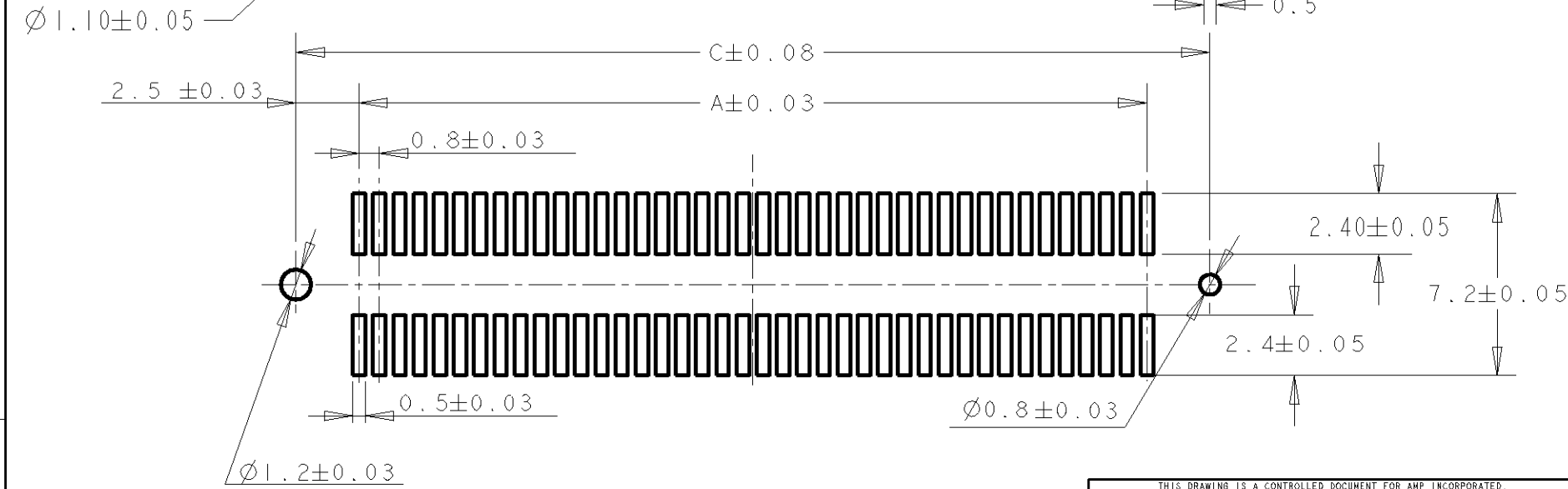
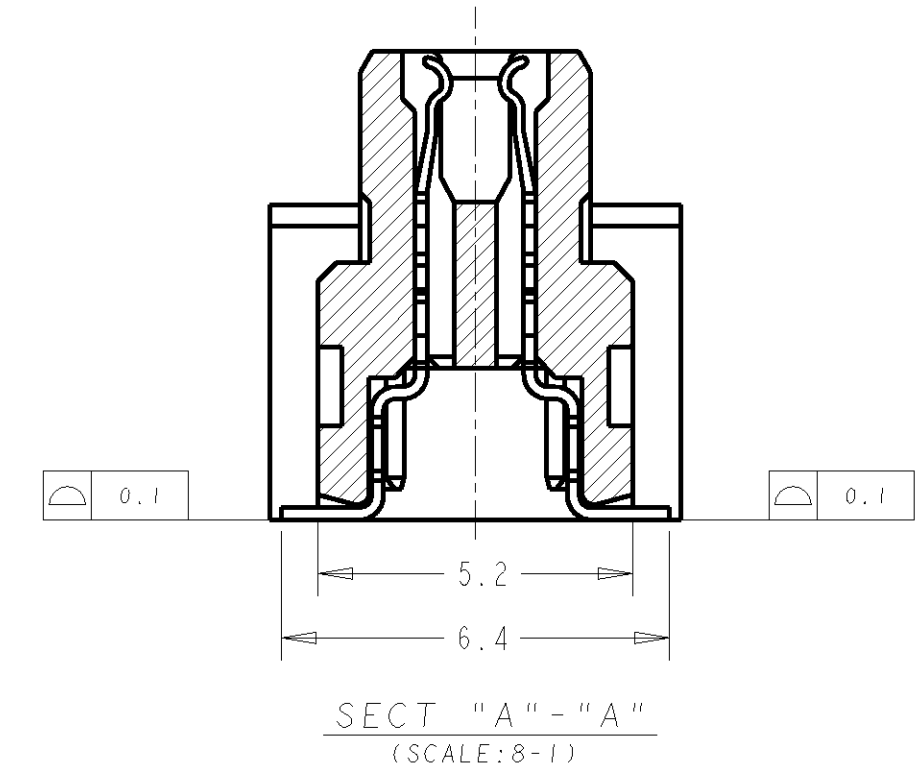
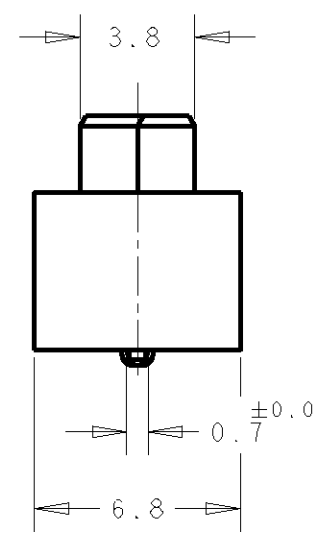
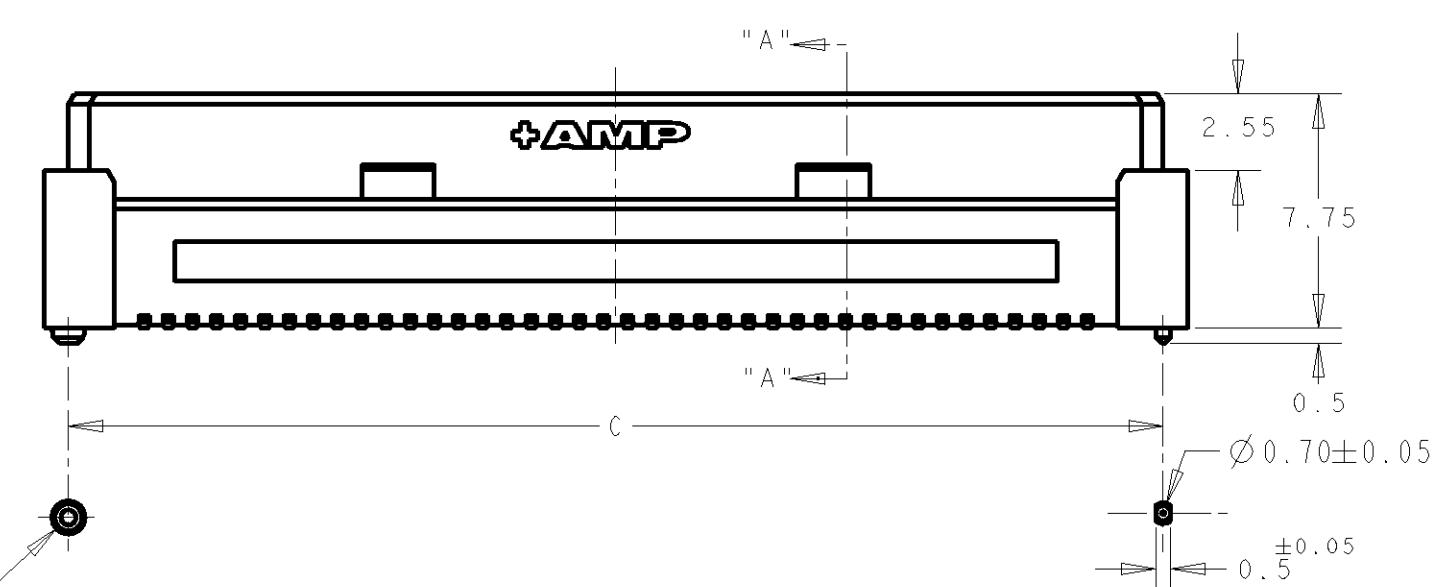
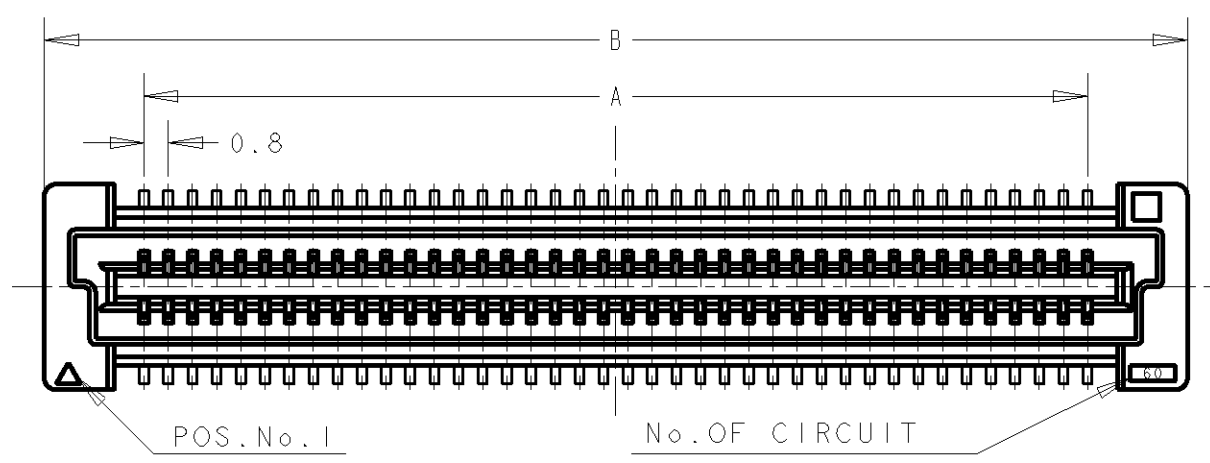
A

D

C

B

A



RECOMMENDED P.C. BOARD LAYOUT

NOTES;

- 1. MATERIAL: HOUSING: L.C.P. (HIGH TEMP THERMO PLASTIC) UL 94V-0, NATURAL. CONTACT: BERYLIUM COPPER.
- 2. FINISH: CONTACT AREA: 0.00076 MIN GOLD ON 0.0013 MIN ALL OVER NICKEL. SOLDERING AREA: 0.002 MIN MATTE-TIN.
- 3. POSITION SERIES: SEE TABLE. (SHEET 2)
- 4. CONN STACK HEIGHT COMBINE OF PLUG "Y" H VS REC "X" H. STACK HEIGHT = Y + X - 5

P/N SEE SHEET 2 OF 2

THIS DRAWING IS A CONTROLLED DOCUMENT FOR AMP INCORPORATED. IT IS SUBJECT TO CHANGE AND THE CONTROLLING ENGINEERING ORGANIZATION SHOULD BE CONTACTED FOR THE LATEST REVISION.		DWN FLORENCE TAN	14SEP04	tyco Electronics	Tyco Electronics (Singapore) Pte. Ltd.	
DIMENSIONS: mm		CHK ERIC TNG	APVD SF L FONG		NAME RECEPTACLE ASSEMBLY 9H TYPE 30Au (0.5 BOSS LENGTH) FOR FH 0.8mm PITCH B-T-B CONNECTOR	
TOLERANCES UNLESS OTHERWISE SPECIFIED: 0 PLC ±0.3 1 PLC ±0.3 2 PLC ±0.25 3 PLC ±0.2 4 PLC ±0.2 ANGLES ±3°		PRODUCT SPEC 108-5390		SIZE A3		
MATERIAL		FINISH		CAGE CODE 00779		DRAWING NO C-5084613
1		2		WEIGHT -		SCALE 4:1
CUSTOMER DRAWING				SHEET 1 OF 2		REV 01

4

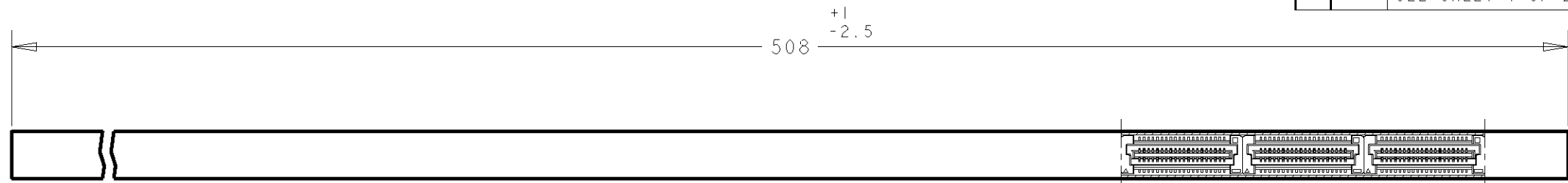
3

2

1

THIS DRAWING IS UNPUBLISHED. RELEASED FOR PUBLICATION .19 .
 © COPYRIGHT 19 BY AMP INCORPORATED. ALL RIGHTS RESERVED.

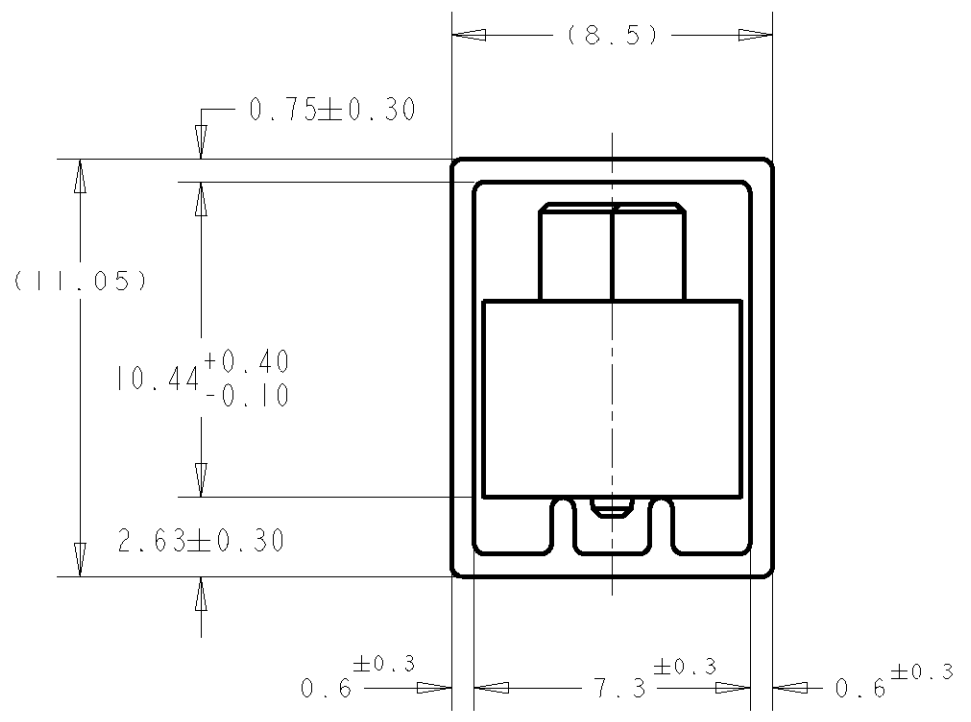
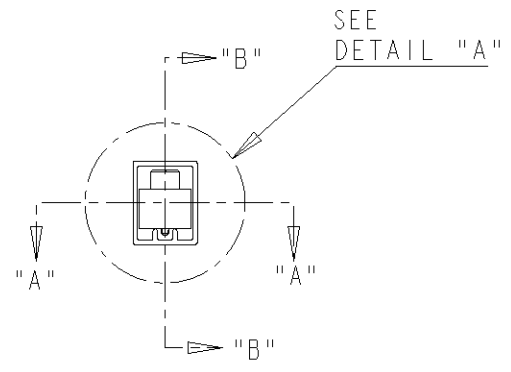
LOC	DIST	REVISIONS			
P	LTR	DESCRIPTION	DATE	DWN	APVD
		SEE SHEET 1 OF 2			



SECT "A" - "A"



SECT "B" - "B"



DETAIL "A"
(SCALE 5-1)

AVAILABLE	84.20	85.80	79.20	200	1-	-0
	76.20	77.80	71.20	180		-9
	68.20	69.80	63.20	160		-8
	60.20	61.80	55.20	140		-6
	52.20	53.80	47.20	120		-5
	44.20	45.80	39.20	100		-4
	36.20	37.80	31.20	80		-3
	28.20	29.80	23.20	60		-2
20.20	21.80	15.20	40			
STATUS	C	B	A	POS.	PART No. 5084613-1	

THIS DRAWING IS A CONTROLLED DOCUMENT FOR AMP INCORPORATED. IT IS SUBJECT TO CHANGE AND THE CONTROLLING ENGINEERING ORGANIZATION SHOULD BE CONTACTED FOR THE LATEST REVISION.		DWN 14SEP04 FLORENCE TAN	tyco Electronics Tyco Electronics (Singapore) Pte. Ltd.
DIMENSIONS: mm		CHK ERIC TNG	
TOLERANCES UNLESS OTHERWISE SPECIFIED: 0 PLC ±- 1 PLC ±0.3 2 PLC ±0.25 3 PLC ±0.2 4 PLC ±- ANGLES ±3°		APVD SF JONG	NAME RECEPTACLE ASSEMBLY 9H TYPE 30Au (0.5 BOSS LENGTH) FOR FH 0.8mm PITCH B-T-B CONNECTOR
MATERIAL		PRODUCT SPEC 108-5390	SIZE A3
FINISH		APPLICATION SPEC 114-5254	CAGE CODE 00779
1		WEIGHT -	DRAWING NO. 5084613
2		CUSTOMER DRAWING	SCALE 4:1 SHEET 2 OF 2 REV 01