

**Product number C11242_STRADA-DW**

Family	Strada	FWHM	87+142 degrees
Type	Lens	Efficiency	92 %
LED	CL-L400	cd/lm	-
Color	Clear	Gerber File	Available
Diameter	19.6 x 15.5 mm		
Height	10 mm		
Style	Rectang		
Optic Material	PMMA		
Holder Material	-		
Fastening	["glue", "pin", "screw"]		
Status	Production ready		

Product number CA11243_STRADA-DW

Family	Strada	FWHM	87+142 degrees
Type	Assembly	Efficiency	92 %
LED	CL-L400	cd/lm	-
Color	Clear	Gerber File	Available
Diameter	19.6 x 15.5 mm		
Height	10.1 mm		
Style	Rectang		
Optic Material	PMMA		
Holder Material	-		
Fastening	["tape", "screw", "pin"]		
Status	Production ready		

Product number C11244_STRADA-DN

Family	Strada	FWHM	104+60 degrees
Type	Lens	Efficiency	92 %
LED	CL-L400	cd/lm	-
Color	Clear	Gerber File	Available
Diameter	19.6 x 15.5 mm		
Height	5.6 mm		
Style	Rectang		
Optic Material	PMMA		
Holder Material	-		
Fastening	["pin", "glue", "screw"]		
Status	Production ready		

Product number CA11245_STRADA-DN

Family	Strada	FWHM	104+60 degrees
Type	Assembly	Efficiency	92 %
LED	CL-L400	cd/lm	-
Color	Clear	Gerber File	Available
Diameter	19.6 x 15.5 mm		
Height	5.75 mm		
Style	Rectang		
Optic Material	PMMA		
Holder Material	-		
Fastening	["pin", "tape", "screw"]		
Status	Production ready		

**Product number C11277_STRADA-C**

Family	Strada	FWHM	122 degrees
Type	Lens	Efficiency	91 %
LED	CL-L400	cd/lm	-
Color	Clear	Gerber File	Available
Diameter	19.6 x 15.5 mm		
Height	6.9 mm		
Style	Rectang		
Optic Material	PMMA		
Holder Material	-		
Fastening	["pin"]		
Status	Production ready		

Product number CA11348_STRADA-C

Family	Strada	FWHM	122 degrees
Type	Assembly	Efficiency	91 %
LED	CL-L400	cd/lm	-
Color	Clear	Gerber File	Available
Diameter	19.6 x 15.6 mm		
Height	6.8 mm		
Style	Rectang		
Optic Material	PMMA		
Holder Material	-		
Fastening	["tape", "screw", "pin"]		
Status	Production ready		

NOTE: The typical divergence will be changed by different color, chip size and chip position tolerance. The typical total divergence is the full angle measured where the luminous intensity is half of the peak value.



PRODUCT DATASHEET

Strada series

last update 15/2/2013

GENERAL INFORMATION

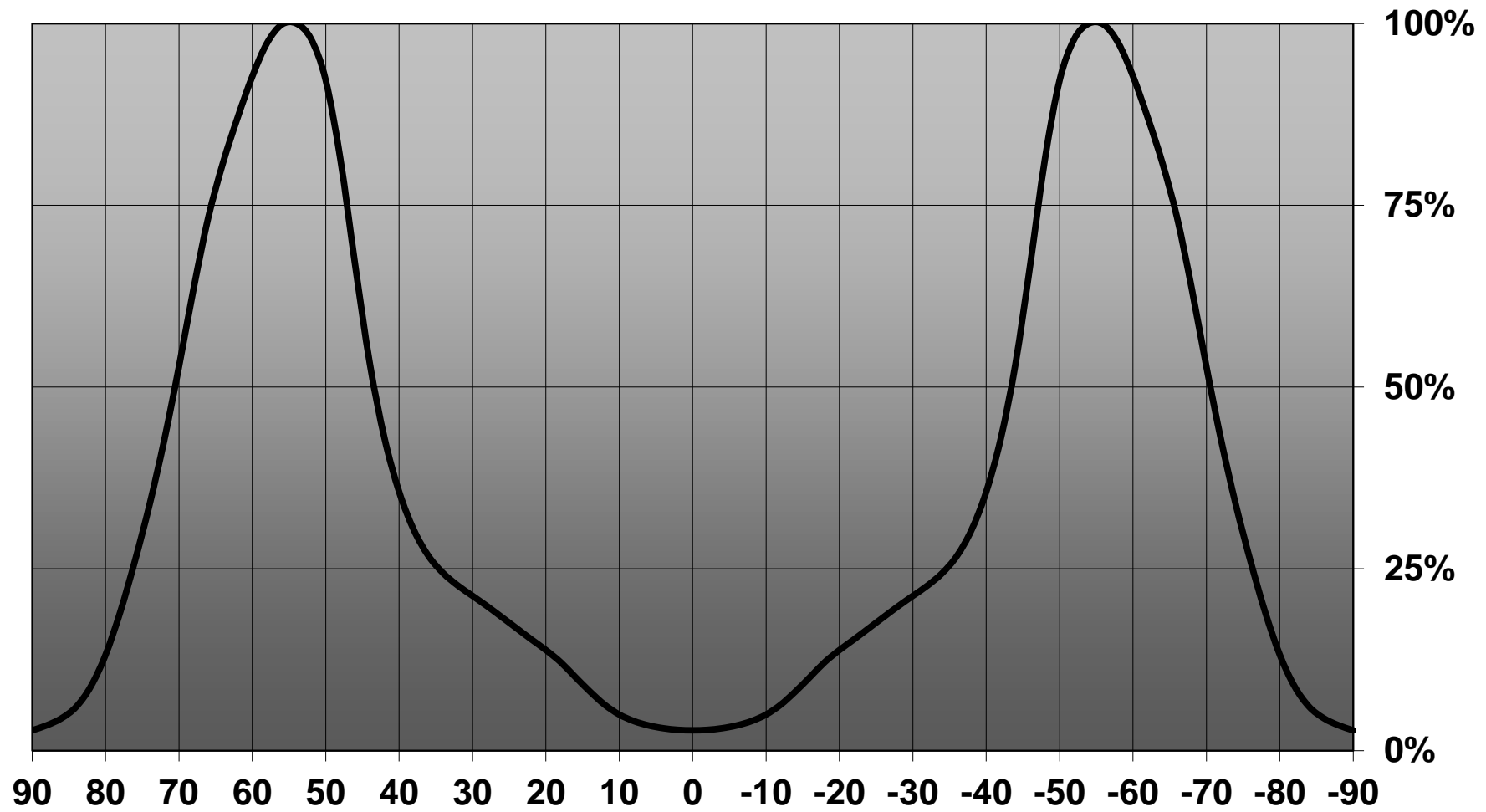
- Product series especially designed & optimized for CL-L400 series of LEDs.
- Special care taken to make light distribution as uniform as possible.
- Lens material optical grade PMMA with high UV and temperature resistance. Allows use of high current and temperature conditions.

Please find more information about used material from below:

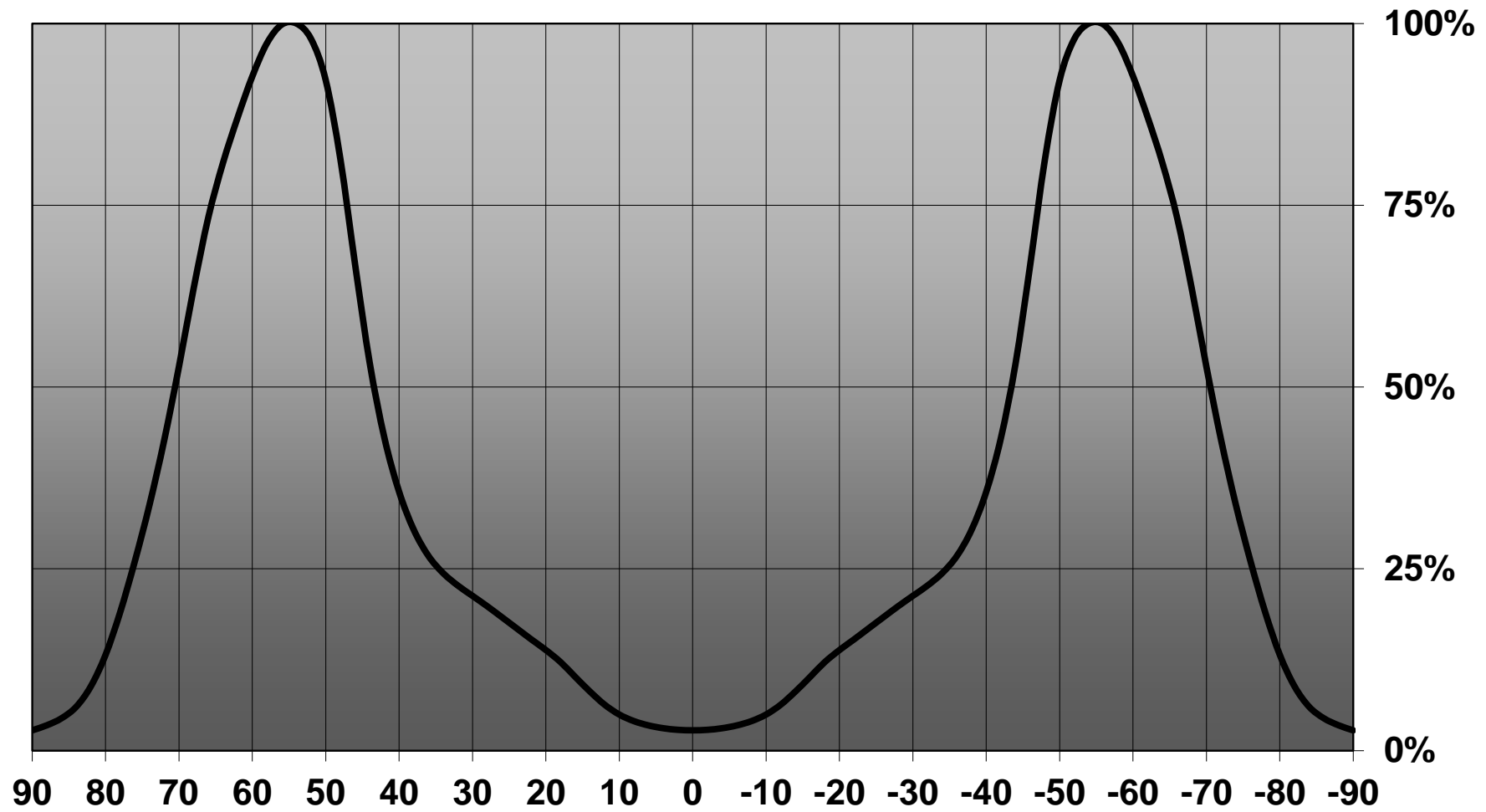
http://ledil.fi/sites/default/files/Documents/Technical/Material/PMMA%20N%20UL94_Yellow%20Card.pdf

<http://ledil.fi/sites/default/files/Documents/Technical/Material/PMMA%20N%20PLEXIGLAS-Datasheet.pdf>

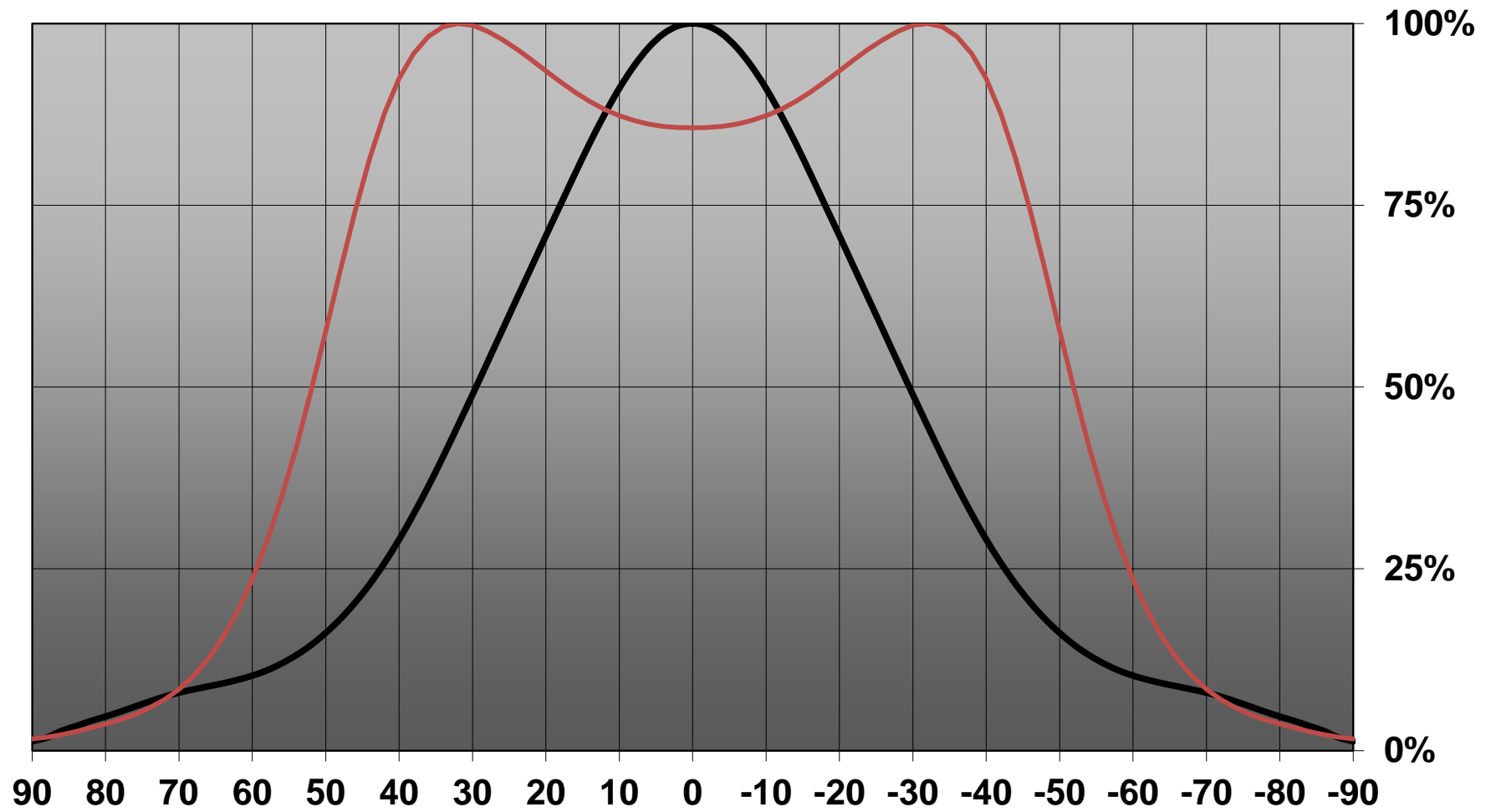
Relative intensity of C11242-Strada-DW-3N83_CL-L400



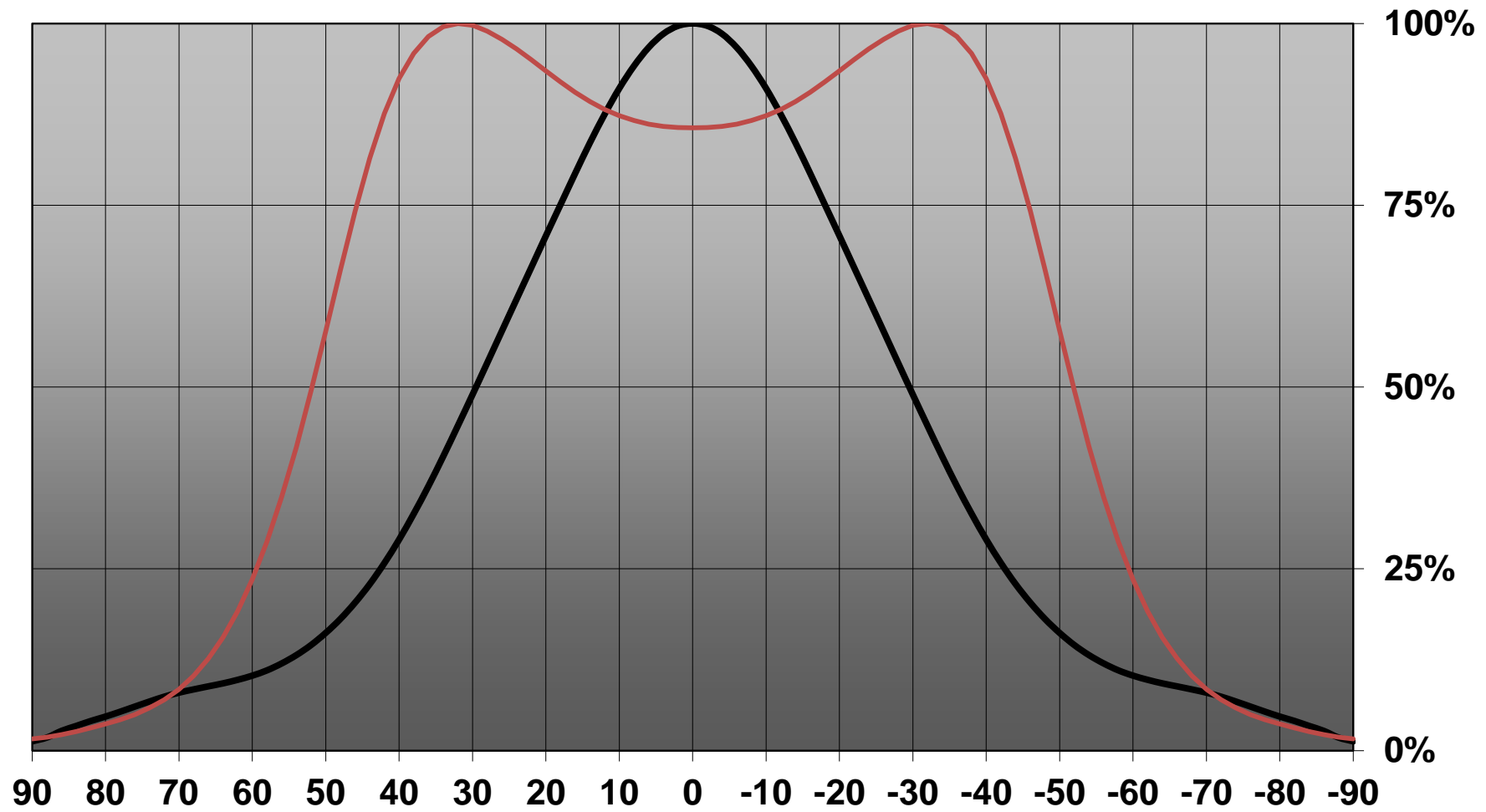
Relative intensity of C11242-Strada-DW-3N83_CL-L400



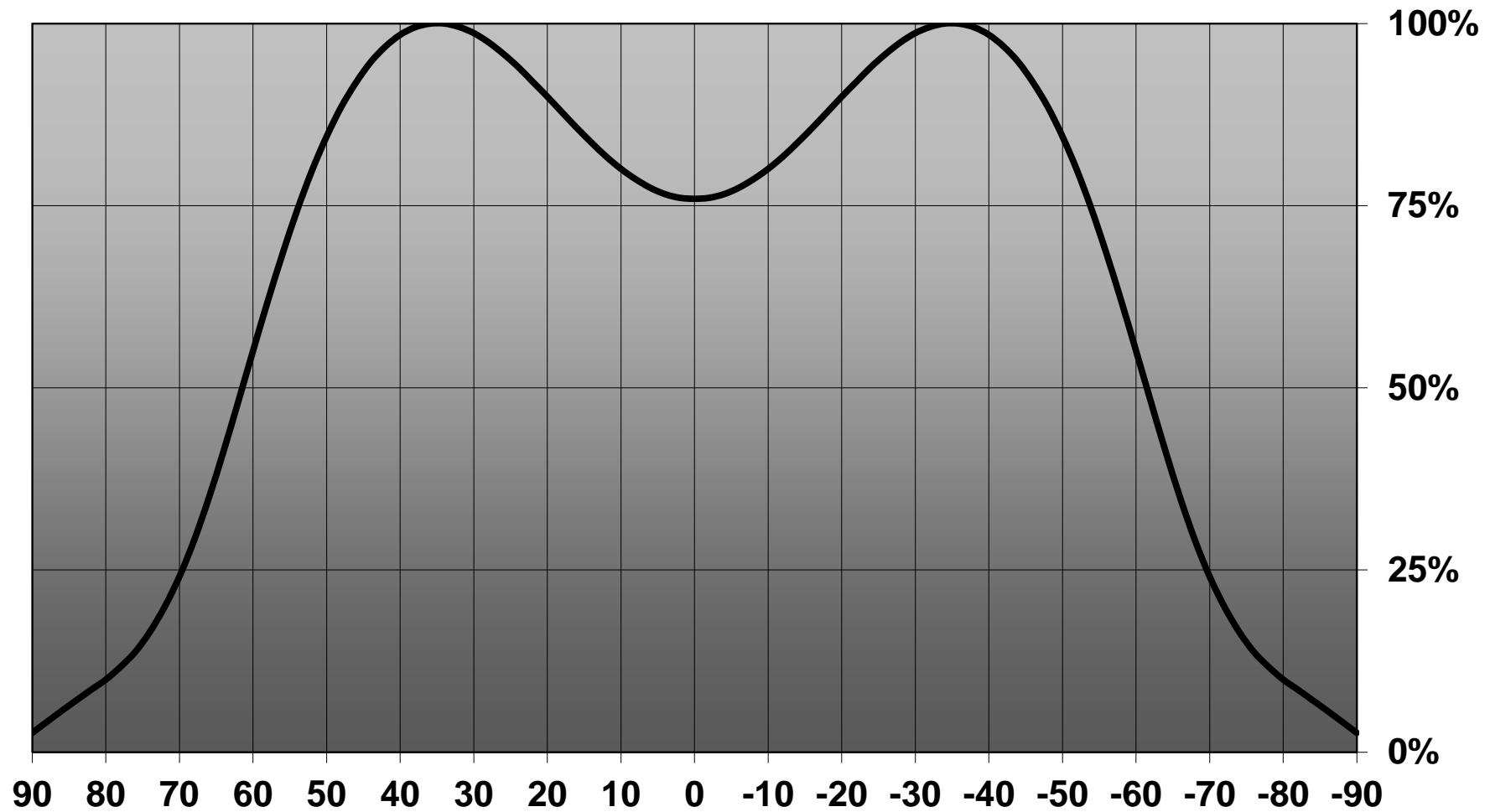
Relative intensity of C11244-Strada-DN-6N83-CL-L400



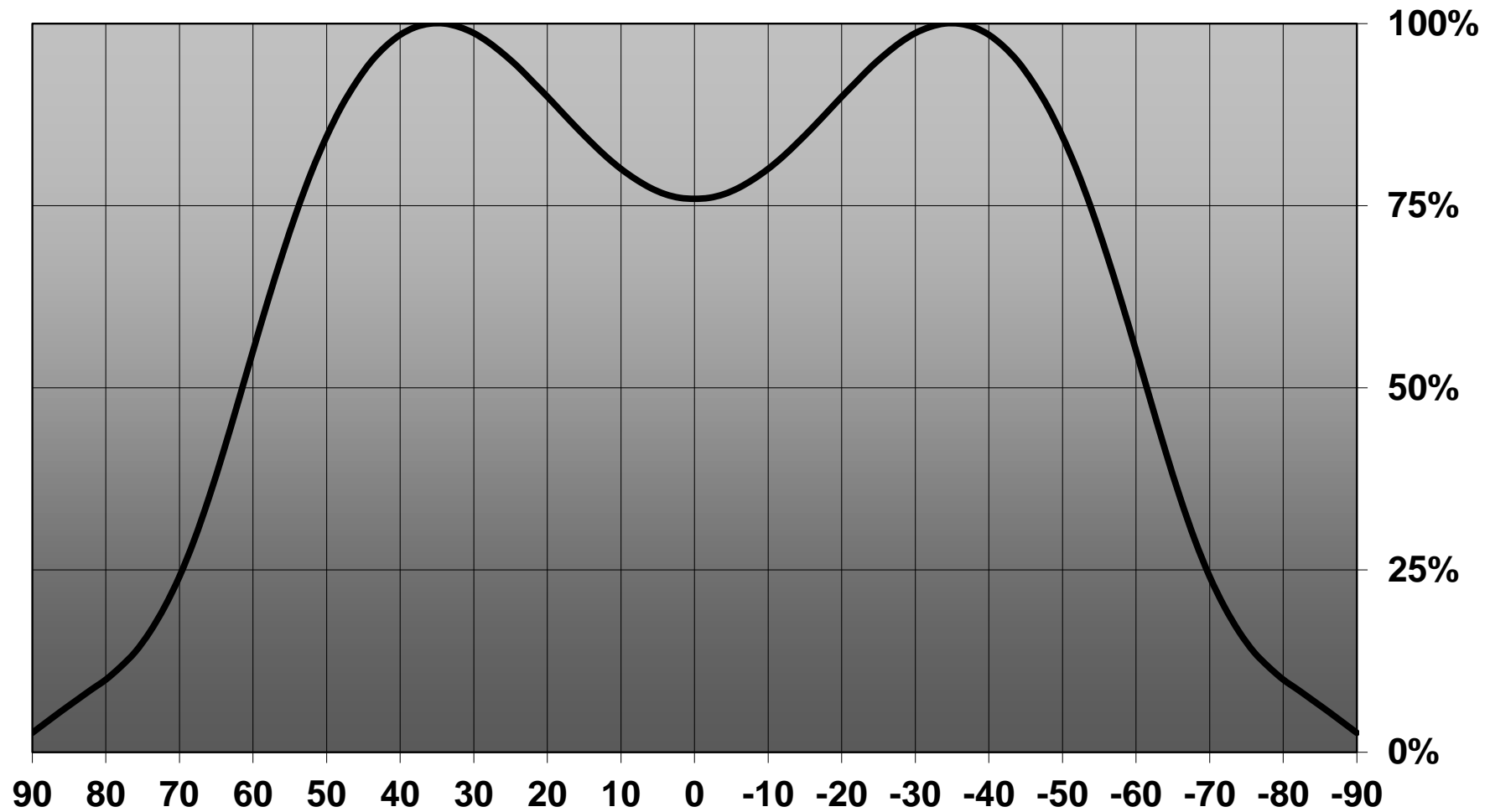
Relative intensity of C11244-Strada-DN-6N83-CL-L400



Relative intensity of CA11348_Strada-C-6N83-tape-CL-L400



Relative intensity of CA11348_Strada-C-6N83-tape-CL-L400

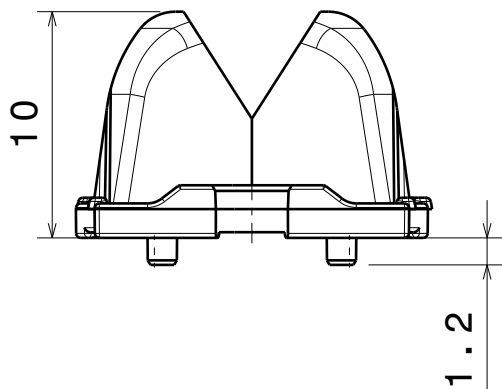


D

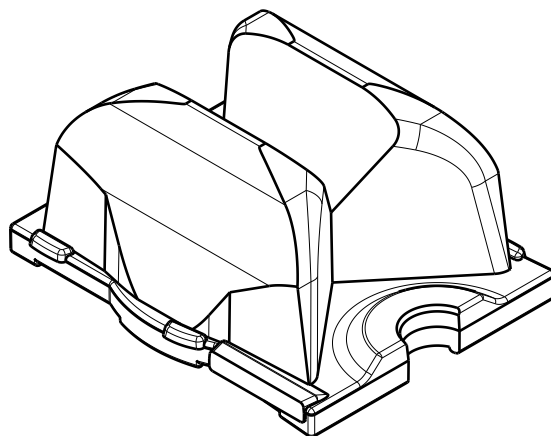
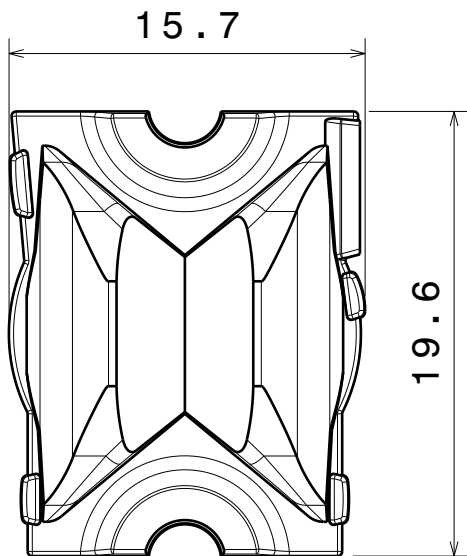
C

B

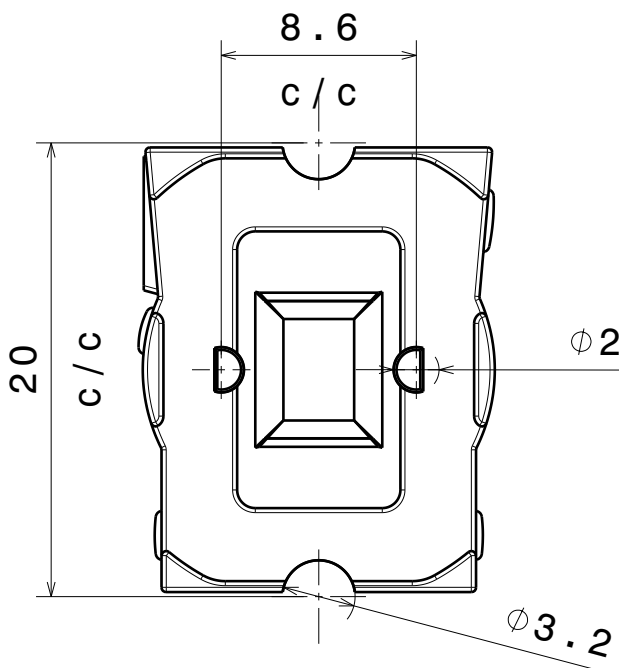
A



Front view

Isometric view
Scale: 3:1

Top view



Bottom view

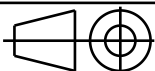
INDEX	PART NO	DESCRIPTION	MATERIAL	COLOUR
1	C11242	STRADA-DW	PMMA	

Tolerances if not otherwise shown
According to DIN ISO 2768-1
Linear measures:
Up to 30mm class M, otherwise class C.
According to DIN ISO 2768-2
Form and position: class L

LEDiL

Ledil Oy
Salorankatu 10
FIN 24240 SALO
Finland

THIRD ANGLE PROJECTION:



DRAWING TITLE

C11242_STRADA-DW

This drawing is the property
of LEDiL Oy. It may not be
reproduced, copied or
communicated without a written
agreement with LEDiL Oy.

SIZE PART NUMBER

A4

C11242

SCALE	3:1	WEIGHT	1,4 g	SHEET	1/1
-------	-----	--------	-------	-------	-----

D

A