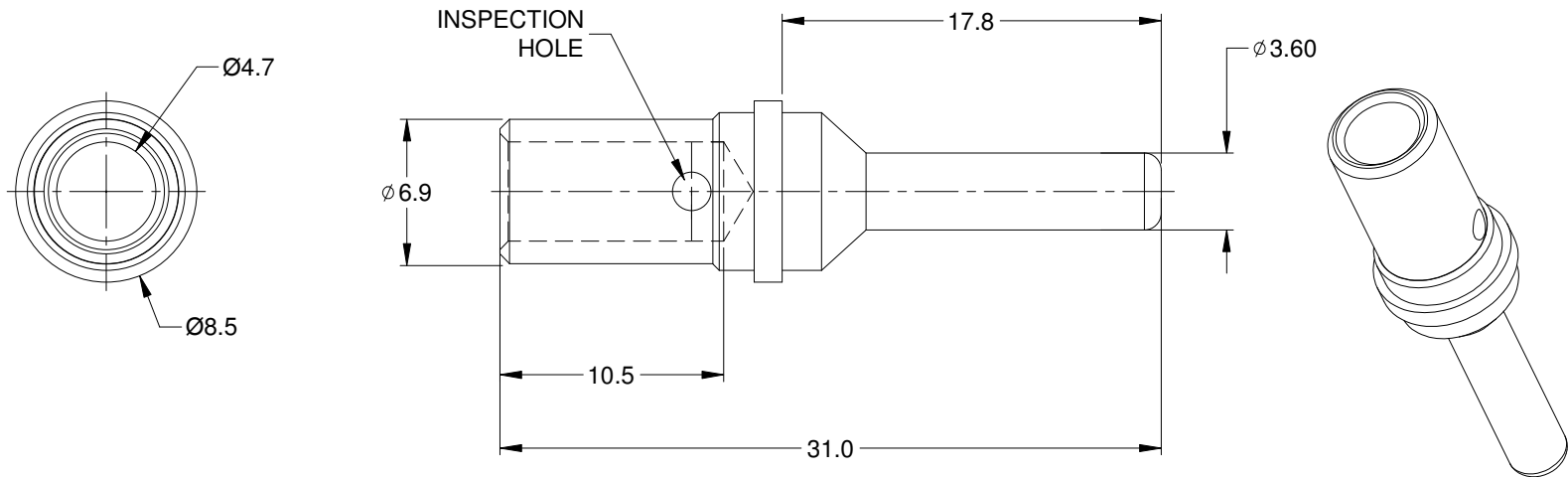


REVISIONS					
REV	ECO	DESCRIPTION	DATE	BY	APPR
A1		RELEASE NEW PRODUCT	20JUN16	ORION	TOMMY



NOTES: UNLESS OTHERWISE SPECIFIED

- MATERIAL: COPPER ALLOY; NICKEL PLATED
- CONTACT SIZE: 08
- SPECIFICATIONS:
 - CURRENT RATING: 60 AMP
 - CONTACT MILLIVOLT DROP: 60 MILLIVOLT DROP @ 80 AMP TEST CURRENT.
 - ROHS COMPLIANT
- RECOMMENDED WIRE RANGE: 07 - 10 AWG
- AVAILABLE HAND CRIMPER: WA23-DS
- ALL DIMENSIONS ARE FOR REFERENCE USE ONLY

SC000345-141				
PART NUMBER		DESCRIPTION		ITEM
QUANTITY	MATERIALS LIST			
UNLESS OTHERWISE SPECIFIED 1) All dimensions are in metric(mm). 2) Tolerances are as follows: 1 PL DEC ± 0.30 2 PL DEC ± 0.15 3 PL DEC ± 0.08 Fractions $\pm 1/64$ Angles $\pm 1^\circ$ 3) Note reference =		SIGNATURES	DATE	<h1>Amphenol</h1> <p>Sine Systems - www.amphenol-sine.com 44724 Morley Drive Clinton Township, MI 48036</p> <p>CONTACT, PIN, SOLID, 3.6MM 7-10 AWG, AHDP SERIES</p>
MATERIAL SPECIFICATIONS:		DRAWN: ORION LI	20JUN16	
PROCESS SPECIFICATIONS:		CHECKED:	ENGINEER:	
NEXT ASS'Y:		APPROVAL:	CUSTOMER:	
THIS DRAWING IS SUPPLIED FOR INFORMATION ONLY. DESIGN FEATURES, SPECIFICATIONS AND PERFORMANCE DATA SHOWN HEREON ARE THE PROPERTY OF THE AMPHENOL CORPORATION. NO RIGHTS OF REPRODUCTION ARE IMPLIED. ALL DIMENSIONS ARE SUBJECT TO NORMAL MANUFACTURING VARIATIONS.		SIZE: A C- TYPE: NONE DWG NO: SC000345-141 REVISION: 01		SHEET 1 OF 1