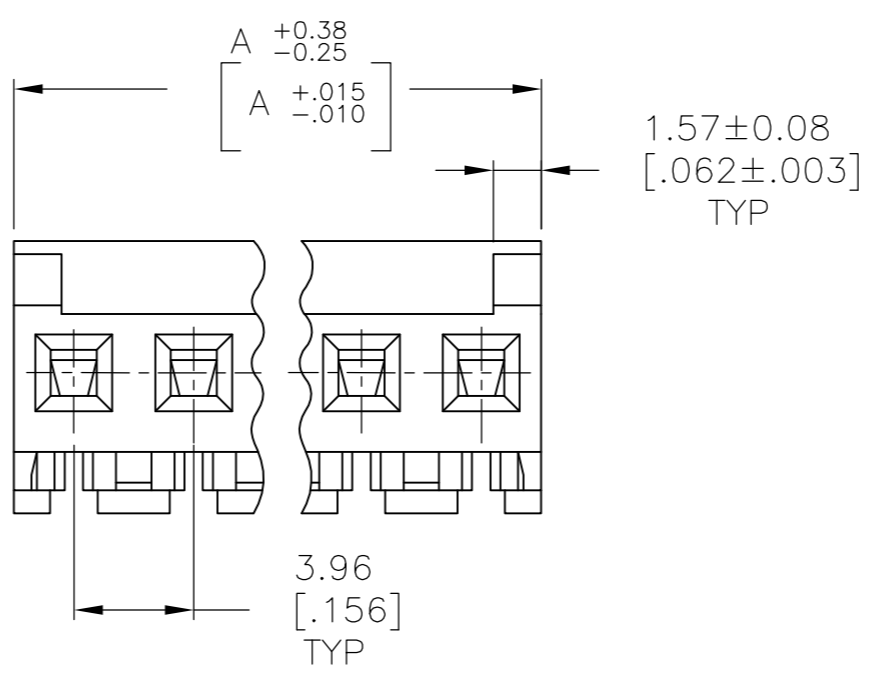
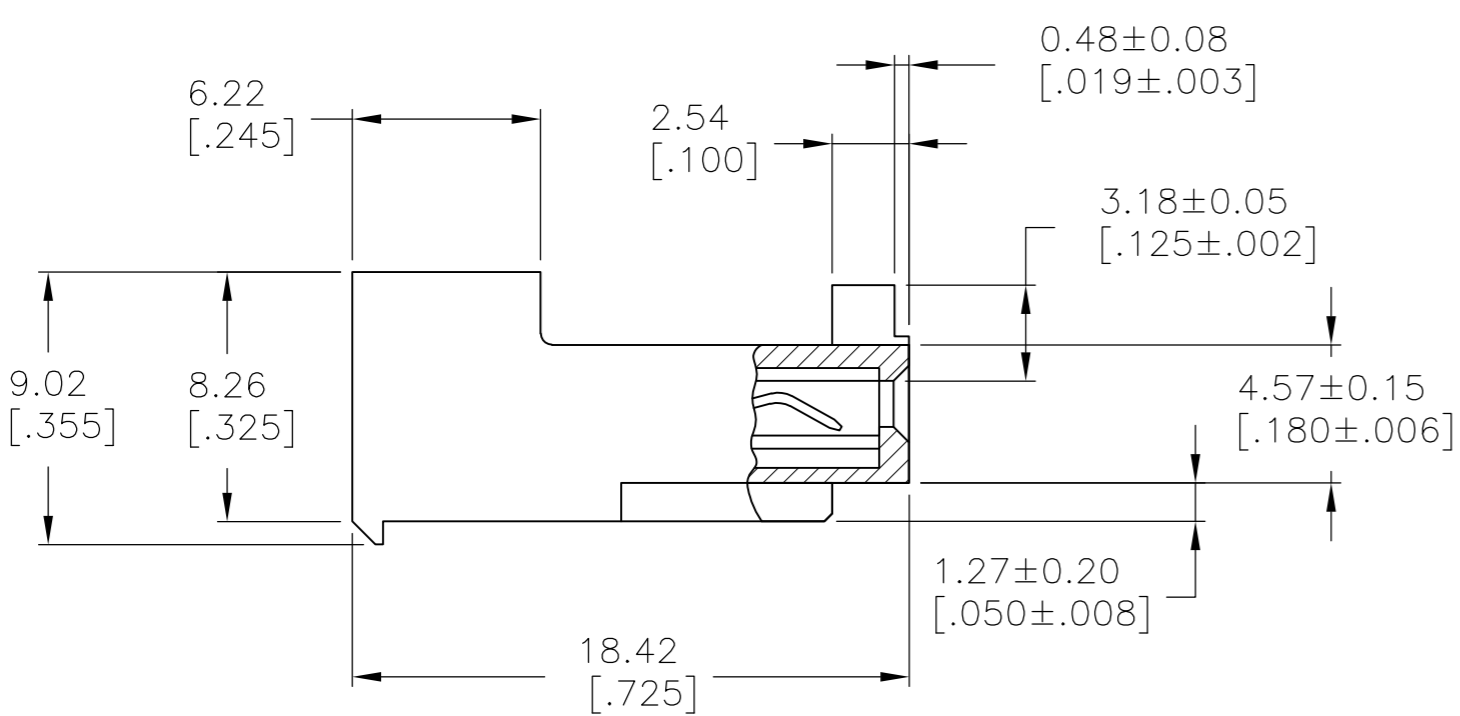
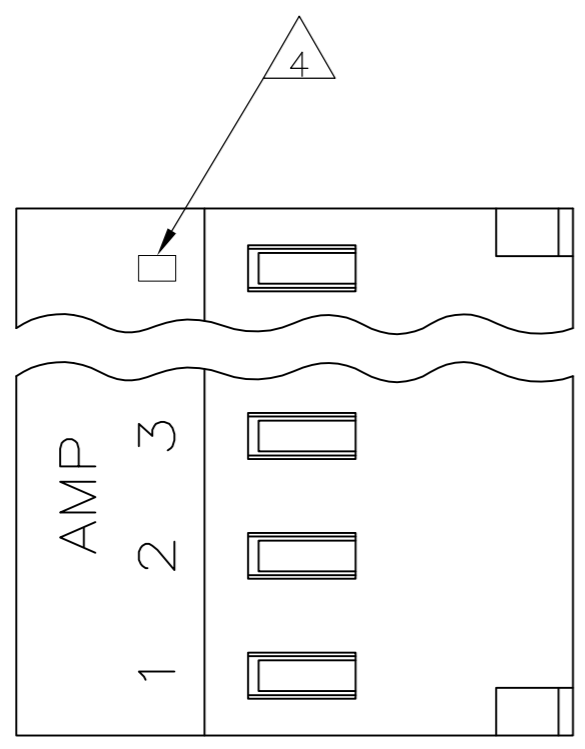


LOC		DIST		REVISIONS				
CM	00	P	LTR	DESCRIPTION		DATE	DWN	APVD
		E		REVISED PER ECO-12-007610		25JUL12	KH	SM



- 1 MATERIAL: CONNECTOR - NYLON UL94-V2
CONTACTS - 0.30[.012] THICK COPPER ALLOY
(BRIGHT TIN-LEAD 0.00203[.000080] MIN. THICK
FOR CONTACTS 644463-2 THRU 1-644463-4).
(MATTE WHISKER MITIGATED TIN 0.00203[.000080] MIN.
THICKNESS OVER NICKEL UNDERPLATE FOR 3-644463-2
THRU 4-644463-4).
- 2 CONTACTS ACCEPT 22 AWG WIRE WITH 2.41[.095] MAX
INSULATION DIAMETER.
- 3 CONTACTS MUST ACCEPT 1.14±0.03[.045±.001]
POST AND REMAIN LOCKED IN POSITION.
- 4 IDENTIFICATION NUMBER FOR LAST CIRCUIT MAY
NOT APPEAR ON ALL ASSEMBLIES.
- 5 DIMENSIONS IN BRACKETS ARE IN INCHES.
- 6 HOUSING FEATURES ARE: CLOSED END WITHOUT
LOCKING RAMP AND WITH POLARIZING TAB.
- 7 OBSOLETE PARTS: OBSOLETE CIS STREAMLINING PER D.RENAUD/D.SINISI
- 8 RED COLOR STRIPE ON HOUSING (NOT SHOWN) MAY RUN DOWN BETWEEN RIBS.

DIM A	NO. OF CIRCUITS	PART NO.
55.47[2.184]	14	4-644463-4
51.51[2.028]	13	4-644463-3
47.55[1.872]	12	4-644463-2
43.59[1.716]	11	4-644463-1
39.62[1.560]	10	4-644463-0
35.66[1.404]	9	3-644463-9
31.70[1.248]	8	3-644463-8
27.74[1.092]	7	3-644463-7
23.77[.936]	6	3-644463-6
19.81[.780]	5	3-644463-5
15.85[.624]	4	3-644463-4
11.89[.468]	3	3-644463-3
7.92[.312]	2	3-644463-2

REVISION	DESCRIPTION	DATE	DWN	APVD
7	SUPERSEDED	55.47[2.184]	14	1-644463-4
7	SUPERSEDED	51.51[2.028]	13	1-644463-3
		47.55[1.872]	12	1-644463-2
7	SUPERSEDED	43.59[1.716]	11	1-644463-1
		39.62[1.560]	10	1-644463-0
7	SUPERSEDED	35.66[1.404]	9	644463-9
7	SUPERSEDED	31.70[1.248]	8	644463-8
7	SUPERSEDED	27.74[1.092]	7	644463-7
		23.77[.936]	6	644463-6
7	SUPERSEDED	19.81[.780]	5	644463-5
		15.85[.624]	4	644463-4
7	SUPERSEDED	11.89[.468]	3	644463-3
7	SUPERSEDED	7.92[.312]	2	644463-2

THIS DRAWING IS A CONTROLLED DOCUMENT.

DIMENSIONS:
mm [INCHES]

TOLERANCES UNLESS OTHERWISE SPECIFIED:

0 PLC ± -
1 PLC ± -
2 PLC ± -
3 PLC ± 0.13 [.005]
4 PLC ± -
ANGLES ± -

APVD D. BOSSI 21JUL2003

PRODUCT SPEC 108-1051

APPLICATION SPEC 114-1020

STE TE Connectivity

NAME

MTA 156 CONNECTOR ASSEMBLY,
22 AWG, STANDARD

MATERIAL	1	FINISH	1	SIZE	A2	CAGE CODE	00779	DRAWING NO.	C=644463	RESTRICTED TO	-
CUSTOMER DRAWING										SCALE	4:1
										SHEET	1 of 1
										REV	E

